

## MARINE ENGINE

# MINI-44

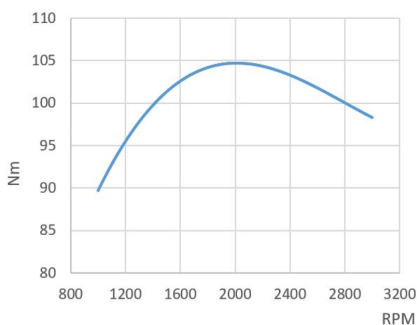
4 cylinders In line 42.0 CV (30.9 kW) 3000 Max RPM

## Technical specifications

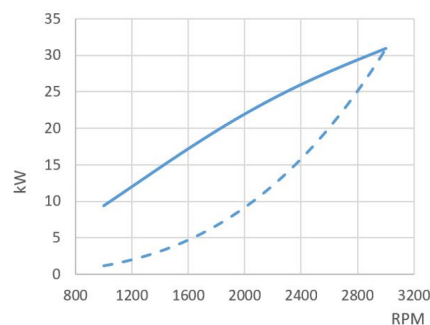
Base engine manufacturer	Mitsubishi
Type	Diesel, 4 stroke
Number of cylinders	4, In line
Intake system	Naturally aspirated
Bore x Stroke	78 mm x 92 mm (3.07 in x 3.62 in)
Total displacement	1758 cc
Compression ratio	22:1
Intermittent power <sup>SN_ (ISO3046/1)</sup>	42.0 CV (30.9 kW)
Continuous power	38.0 CV (27.8 kW)
Max RPM	3000
Injection system	Mechanical and indirect
Starter motor	12 V (1.7 kW)
Alternator	120 A (12 V)
Maximum operating angle	15 °
Rotation (viewed from flywheel side)	Counterclockwise
Cooling system	Sea water heat exchanger and coolant closed circuit
Dry weight without gearbox	175 Kg (385.8 lb)
Sea water hose inner diameter	20 mm (0.79 in)
Fuel feeding hose inner diameter	8 mm (0.31 in)
Fuel return hose inner diameter	5 mm (5 in)
Exhaust hose inner diameter	50 mm (1.97 in)
Certifications and emissions	-
Emission compliance	EU: RCD II (DIR. 2013/53/EU), BSO II, UKCA

## Performance curves

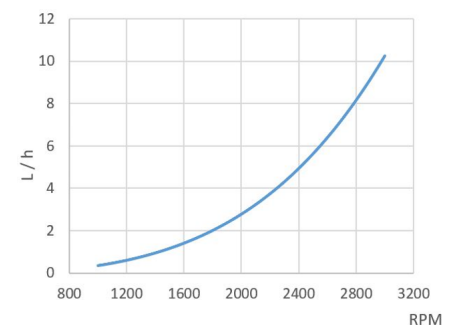
Crankshaft torque



Power (ISO 3046/1)



Fuel consumption



## Panel



Dimensions: 180 x 140mm

### Panel SSG 20 12V White Standard

- Revolution counter with multifunction display
- Coolant temperature and oil pressure indicator
- Voltage indicator and battery charge fault
- High coolant temperature alarm
- Low oil pressure alarm
- Preheating indicator
- Front IP65 protection and anti-fog glass
- 5-position key



Dimensions: 255 x 160mm

### Panel SSG 30 Panel 12V White Optional

- Revolution counter with multifunction display
- Coolant temperature and oil pressure gauge
- Voltage indicator and battery charge fault
- High coolant temperature alarm
- Low oil pressure alarm
- Preheating indicator
- Front IP65 protection and anti-fog glass
- 5-position key

## Accessories

### Standard equipment

- Instrument panel SSG 20
- 3 m electrical extension lead
- Anti Vibration Mounts
- Oil extraction pump
- Owner's manual and spare parts manual

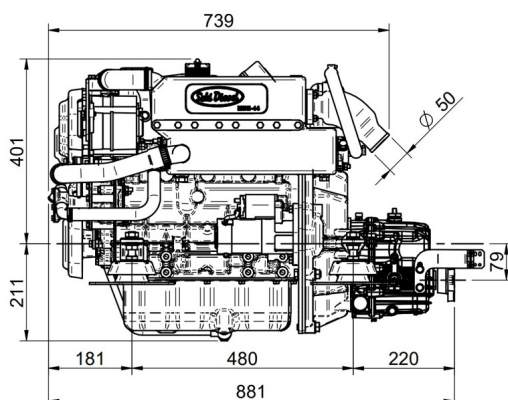
### Optional equipment & kits

- SSG 30 panel
- Twin instrument panel installation
- Twin alternator
- Earth isolated electrical system
- Dry exhaust system
- Keel cooling
- Power takeoff shaft or pulley
- Calorfier Connections
- Drivetrain: propeller, shaft, stern tube
- Water and fuel filters
- Water, exhaust and diesel fuel hoses

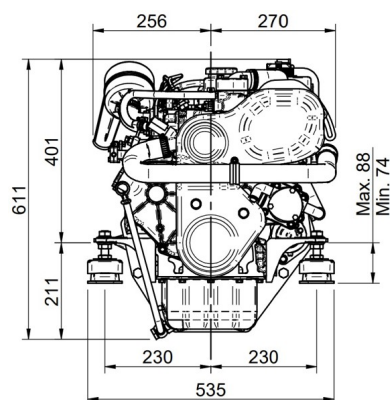
## Gearboxes

Model	Type	Output °	Reductions (light Duty)	Reductions (heavy Duty)	Engine weight w/gbox
SP 60	Mechanical	0°	2.15:1	-	221 Kg (487 Lbs)
TM-345	Hydraulic	0°	2.00:1-2.47:1	2.00:1-2.47:1	202 Kg (447 Lbs)
TM-345A	Hydraulic	8°	2.00:1-2.47:1	2.00:1-2.47:1	202 Kg (447 Lbs)
TM-93	Hydraulic	0°	1.51:1-2.09:1-2.40:1-2.77:1	1.51:1-2.09:1-2.40:1-2.77:1	231 Kg (510 Lbs)
TMC-260	Mechanical	0°	2.00:1-2.47:1-2.88:1	2.00:1-2.47:1-2.88:1	195 Kg (431 Lbs)
TMC-60A	Mechanical	7°	2.00:1-2.45:1	-	191 Kg (422 Lbs)
TMC-60P	Mechanical	0°	1.55:1-2.00:1-2.45:1-2.83:1	1.55:1-2.00:1	191 Kg (422 Lbs)
ZF 12 M	Mechanical	0°	2.14:1	2.14:1	190 Kg (420 Lbs)
ZF 15 MIV	Mechanical	15°	2.13:1	2.13:1	197 Kg (436 Lbs)

## Dimensions



MINI-44 v6 Engine TMC-60P 2.00:1 Gbox.



Detailed drawings, brochures and manuals are available on the web [soleadance.com](http://soleadance.com). All rights reserved. Technical specifications, data and presentation are subjected to variations, changes and updates without prior notice. Non-contractual information.



Authorized dealer