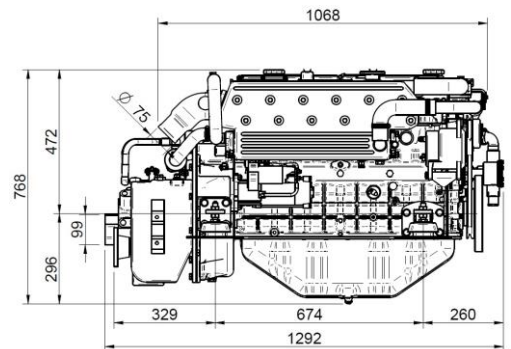
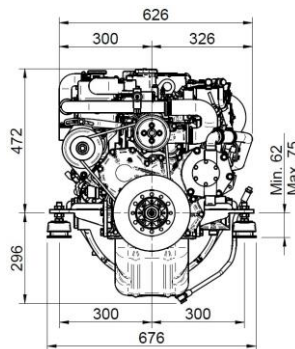
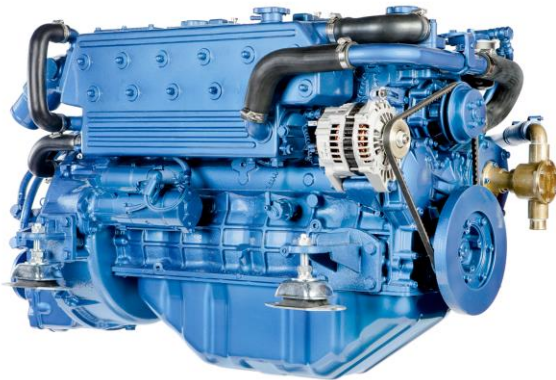


MARINE ENGINE

# SM-103

6 cylinders in line 103 HP (m) (75,8 kW) 2500 RPM



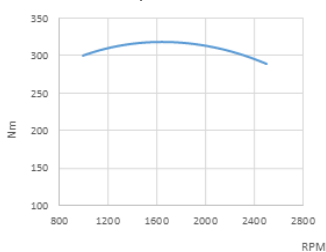
SM-103 Engine TM-93 2.09:1 Gbox.

## Technical Specifications

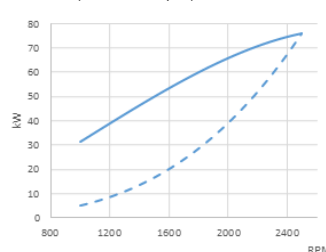
<b>Base engine manufacturer</b>	Mitsubishi
<b>Type</b>	Diesel, 4 stroke
<b>Number of cylinders</b>	6, in line
<b>Intake system</b>	Naturally aspirated
<b>Bore x Stroke</b>	94 mm x 120 mm (3,7 in x 4,72 in)
<b>Total displacement</b>	4996 cc
<b>Compression ratio</b>	22:1
<b>Intermittent power (ISO3046/1)</b>	103 HP (m) (75,8 kW)
<b>Continuous power</b>	92,8 HP (m) (68,2 kW)
<b>RPM</b>	2500
<b>Injection system</b>	Mechanical and indirect
<b>Starter motor</b>	12 V (3 kW)
<b>Alternator</b>	95 A (12 V)
<b>Maximum operating angle</b>	15°
<b>Rotation (viewed from flywheel side)</b>	Counterclockwise
<b>Cooling system</b>	Sea water heat exchanger and coolant closed circuit
<b>Dry weight without gearbox</b>	408 Kg (899,5 lb)
<b>Sea water hose diameter</b>	32 mm (1,26 in)
<b>Fuel feeding hose diameter</b>	8 mm (0,31 in)
<b>Fuel return hose diameter</b>	-
<b>Exhaust hose diameter</b>	75 mm (2,95 in)
<b>Certifications</b>	RRR
<b>Emission compliance</b>	NON EMISSION

## Performance Curves

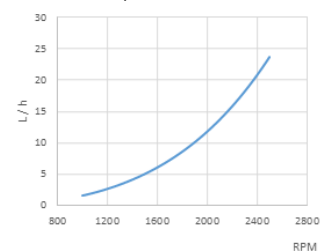
Crankshaft torque



Power (ISO 3046/1)



Fuel consumption



1 kW ≅ 1,36 CV 1 kW ≅ 1,36 HP (metric) 1 kW ≅ 1,36 CH

Engine Power

Propeller Power

## Panel



### Panel SVT 30 Standard

Tachometer including hour meter

Coolant temperature gauge

Pre heating pilot light

Low battery alarm

High temperature alarm

Low oil pressure alarm

5 Positions key

Oil pressure gauge

Battery voltage indicator

Dimensions: 205 x 155 mm

## Accessory

### Scope of Supply

Instrument panel SVT 30

4 m electrical extension lead

Oil extraction pump

Owner's manual and spare parts manual

### Optional Equipment

Twin instrument panel installation

Twin alternator

Earth isolated electrical system

Dry exhaust system

Keel cooling

Power takeoff shaft or pulley

Heater inlet

Drivetrain: propeller, shaft, sterntube

Water and fuel filters

Water, exhaust and diesel fuel hoses

## Gearbox

Model	Type	Down angle	Reduction Ratio (Light Duty)	Reduction Ratio (Cont. Duty)	Engine Weight with Gearbox
DMT-50A	Hydraulic	0°	-	3.45:1	559 Kg (1232 Lbs)
PRM-500D	Hydraulic	0°	2.90:1	2.90:1	483 Kg (1065 Lbs)
PRM-750C	Hydraulic	0°	2.57:1-2.90:1	2.57:1-2.90:1	509 Kg (1122 Lbs)
TM-170	Hydraulic	0°	1.50:1-2.04:1-2.50:1-2.94:1	1.50:1-2.04:1-2.50:1-2.94:1	490 Kg (1080 Lbs)
TM-485A1	Hydraulic	8°	2.40:1	-	451 Kg (994 Lbs)
TM-880A	Hydraulic	10°	1.53:1-2.08:1-2.60:1	1.53:1-2.08:1-2.60:1	469 Kg (1034 Lbs)
TM-93	Hydraulic	0°	1.51:1-2.09:1-2.40:1-2.77:1	1.51:1-2.09:1-2.40:1	468 Kg (1031 Lbs)
TM-93A	Hydraulic	8°	1.51:1-2.09:1-2.40:1	-	468 Kg (1031 Lbs)
ZF 68 IV	Hydraulic	12°	2.00:1-2.48:1	2.00:1-2.48:1	477 Kg (1051 Lbs)

Authorized Dealer

[www.solediesel.com](http://www.solediesel.com)

[info@solediesel.com](mailto:info@solediesel.com)

Detailed drawings, brochures and manuals are available on the web [solediesel.com](http://solediesel.com). All rights reserved. Technical specifications, data and presentation are subjected to variations, changes and updates without prior notice. Non-contractual information.

